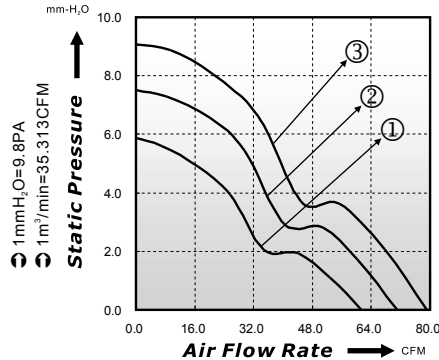


92x92x25mm

Model J

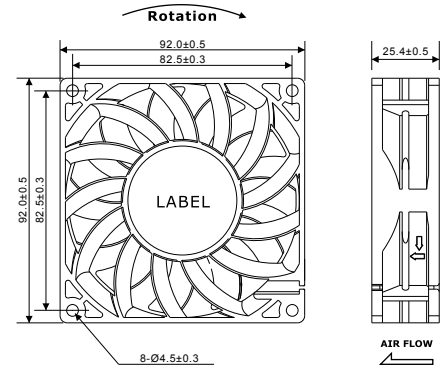


P-Q Curve (At Rated Voltage)



Dimensions Drawing

Unit: (mm)



Model No	Bearing (*)	Rated Voltage (VDC)	Rated Current (A)	Power Consumption (Watts)	Speed (rpm)	Air Flow (CFM)	Static Pressure (mmH ₂ O)	Noise (dBA)	Curve
ED09225-12LB	●	12	0.50	6.00	3200	61.34	5.87	45.20	1
ED09225-12MB	●	12	0.70	8.40	3700	71.07	7.53	48.80	2
ED09225-12HB	●	12	0.85	10.20	4100	79.14	9.08	51.60	3
ED09225-24LB	●	24	0.35	8.40	3200	61.34	5.87	45.20	1
ED09225-24MB	●	24	0.45	10.80	3700	71.07	7.53	48.80	2
ED09225-24HB	●	24	0.65	15.60	4100	79.14	9.08	51.60	3
ED09225-48LB	●	48	0.25	12.00	3200	61.34	5.87	45.20	1
ED09225-48MB	●	48	0.35	16.80	3700	71.07	7.53	48.80	2
ED09225-48HB	●	48	0.50	24.00	4100	79.14	9.08	51.60	3

* Bearing Type: ○ Sleeve ● Two Ball ⊙ Hydro-Dynamic